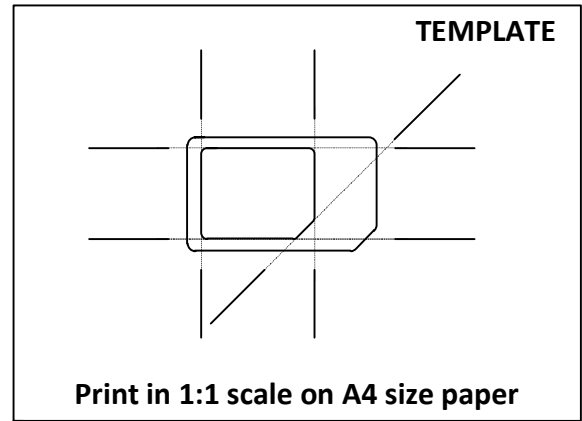
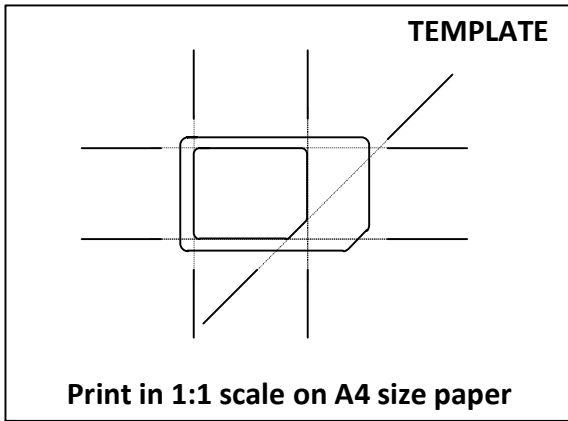
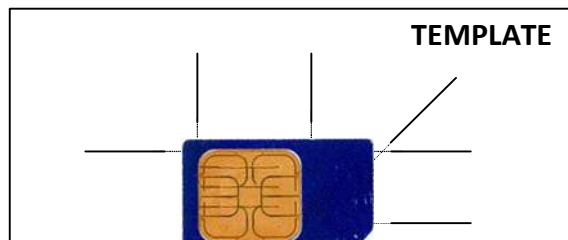


How to make Micro-SIM from usual SIM card



* above templates are drawn strictly following ETSI specification

** the author takes no responsibility for any damage of your SIM card, mobile phone, iPad or any other equipment



INSTRUCTIONS How-to use template

1. Print this page in 1:1 scale on A4 size paper.
2. Fix your SIM card on top of template with double-sided tape or with glue.
3. Align ruler over SIM card with bold guide lines and draw cut lines on SIM card.
4. Cut SIM card by drawn lines using sharp knife or scissors.
5. Use small file to smoothen corners of your new micro-SIM card.